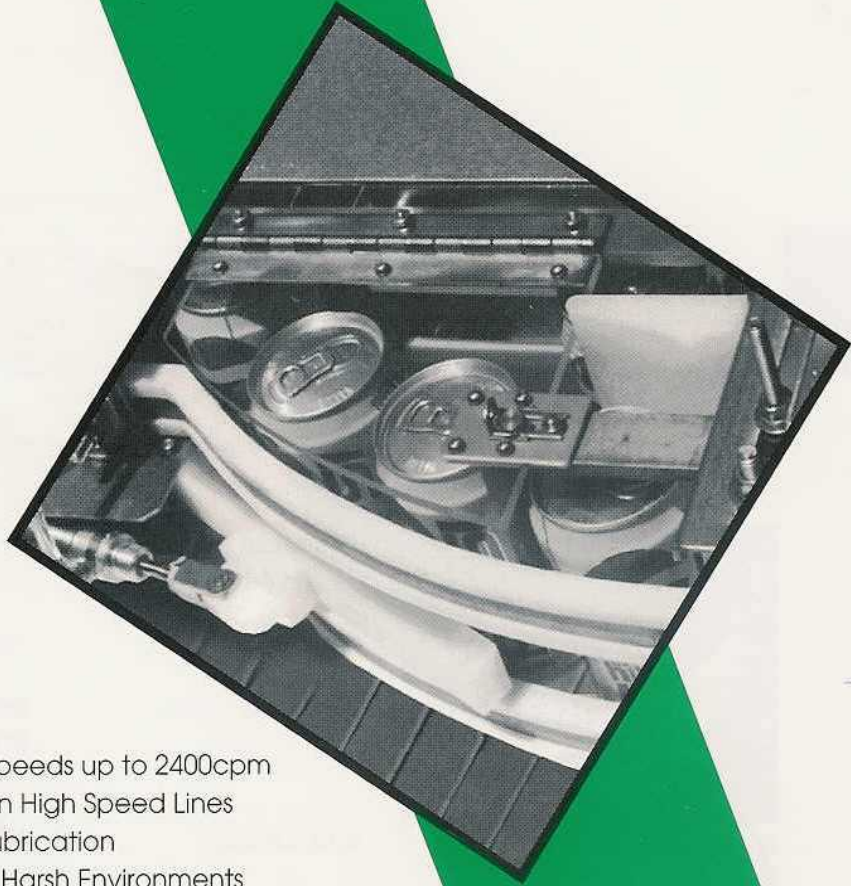


High Speed Can Ejector/Diverter Model EJH-DGS



Features

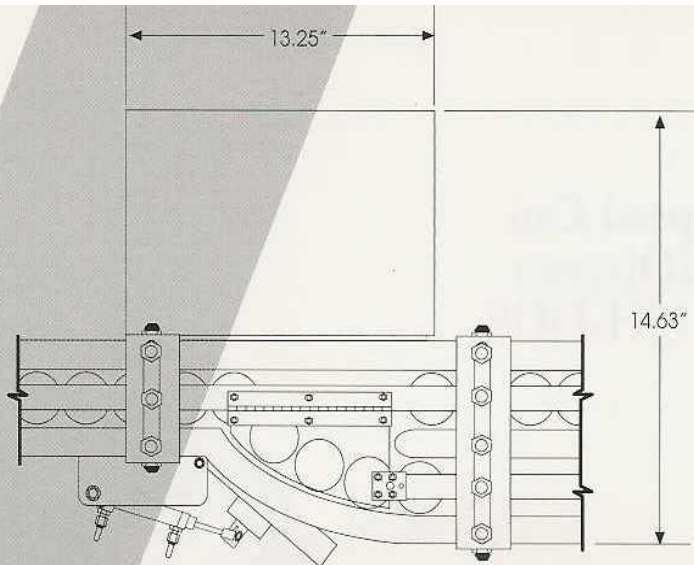
- Ejects and Diverts Containers at speeds up to 2400cpm
- Eliminates Sampling Slowdowns on High Speed Lines
- Sealed Pneumatics Require No Lubrication
- Engineered for Continuous Use in Harsh Environments
- Simple to Install

The **PECO Model EJH-DGS Ejector/Diverter** comes complete, ready for installation including: ejector/diverter assembly, mounting brackets, guide rails and easy to understand manual for quick set-up and easy operation. The **EJH-DGS** is configured for either left or right-hand discharge and diversion can be to either a parallel conveyor or gravity chute.

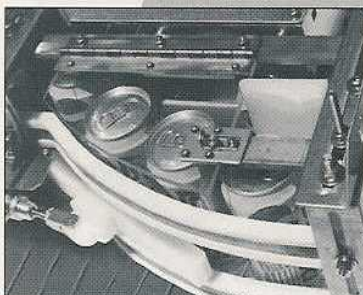
The **EJH-DGS Ejector/Diverter** is designed and engineered to insure continuous trouble-free operation in harsh operating environments. Constructed of stainless steel, space-age polymers and sealed pneumatics this simplistic design will withstand high temperatures, harsh solvents and frequent high temperature wash-downs.

The **EJH-DGS** when coupled with **PECO's Sample-Trac Automatic Sampling-Controller System** will sample identifiable filler/seamer positions. Operation is as simple as entering a sample number and depressing the start button.





Dimensions shown are for reference only.



**High Speed Can
Ejector/Diverter
Model EJH-DGS**

Technical Specifications

Air Required:	70 - 80psi
Can Size:	12oz and 16oz beverage (209 DIA.)
Conveyor Type:	Double width, table top chain (minimum of 6 1/2" width 2 lanes, Production and Takeaway)
Line Speed:	2400cpm
Operating Temperature:	0° F to 160° F
Power:	12 VDC @ 9.2 watts
Sampling Size:	1 - 200

Standard Equipment

- Model EJH-DGS Ejector/Diverter
- All Mounting Hardware
- Installation and Operating Manual

Ordering Information

Diverting to a Parallel Conveyor Specify:

- Part Number D353501 for Left-Hand Discharge
- Part Number D353502 for Right-Hand Discharge

Diverting to a Gravity Chute Specify:

- Part Number D366201 for Left-Hand Discharge
- Part Number D366202 for Right-Hand Discharge

Peco Controls Corporation
450 Montague Expressway
Milpitas, CA 95035
(408) 262-4050
(408) 262-6693 Fax