

Heavy Duty Case/Container Ejector Model EJH-D



Features

- Heavy Duty Ejector for Cases up to 50 lbs.
- Delivers up to 150 Ejections Per Minute
- Variable Length Ejection Stroke
- Compact Ejector Head Assembly
- Mounts to Conveyor or "Small Footprint" Adjustable Height Tripod
- Interchangeable Ejector Pad and Roller Assemblies
- Low Maintenance Design
- All Stainless Steel Housing
- Compatible With Most Inspection Devices and Controllers

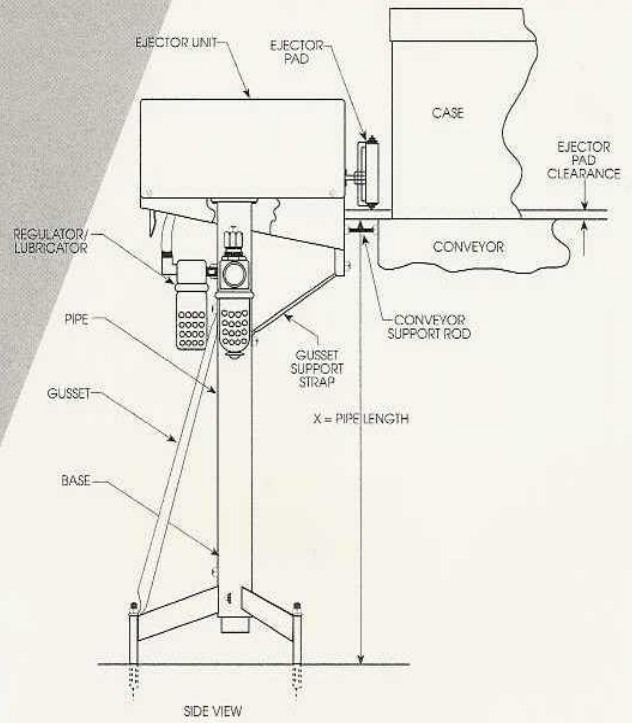
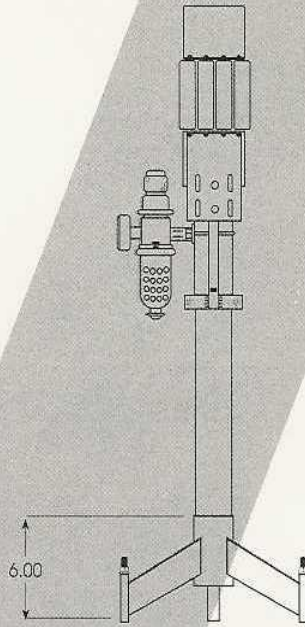
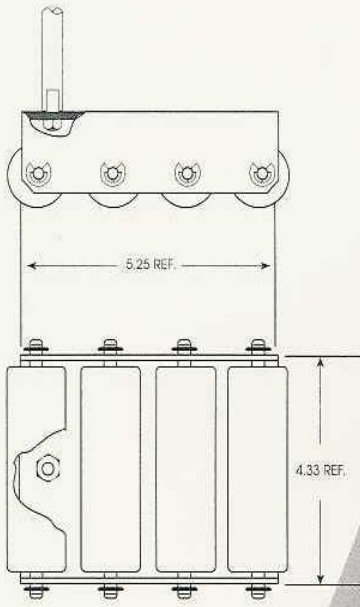
The **Peco** Model EJH-D Heavy Duty Case/Container Ejector is a compact, heavy duty ejector that delivers up to 150 strokes per minute. The **Peco** EJH-D's compact head assembly, small footprint, and variable stroke length in combination with its interchangeable ejector pad and roller assemblies allow the unit to be deployed in a wide array of applications.

The ejector stroke is easily adjusted by increasing or decreasing the dwell time. (A 200 millisecond dwell time delivers a 8.75 inch stroke; a shorter stroke length or accelerated retraction time is achieved by reducing the dwell time). The variable length stroke and interchangeable ejector pads and assemblies allow the **Peco** EJH-D to accommodate a full range of container or case size and weights.

The "small footprint" tripod base and simple height adjustment mechanism, operating over a range of 16 to 42 inches, permits rapid changeovers even in limited space applications.

The **Peco** EJH-D's stainless enclosure and all teflon sealed pneumatics insures a maintenance free ejector operation in the harshest environments.





Technical Specifications

Operating Speed:	Up to 150 containers per minute
Maximum Container Weight:	50 lbs.
Power Requirements:	12 VDC, 200 mA, 2.5 Watts
Pulse Duration:	200 milliseconds minimum/@ 8.75" stroke
Air Required:	60psi at .25 std cubic feet/stroke clean and dry
Operating Environment:	Temperature 40° to 120° F. Relative Humidity 5 to 100%
Dimensions:	Ejector - 6.0" x 8.0" x 17.0" (excluding floor stands)
Stand Height:	16" to 42"
Housing Material:	Stainless Steel

Standard Equipment

- 1 Ejector head assembly
- 1 Tripod base assembly
- 1 Technical manual
- 1 Filter/Regulator assembly
- 1 Rejector pad assembly
- Specify C4599 - Roller assembly for full cases
C4628 - 3 1/2" x 12" Foam pad for empty case

Peco Controls Corporation
 450 Montague Expressway
 Milpitas, CA 95035
 (408) 262-4050
 (408) 262-6693 Fax