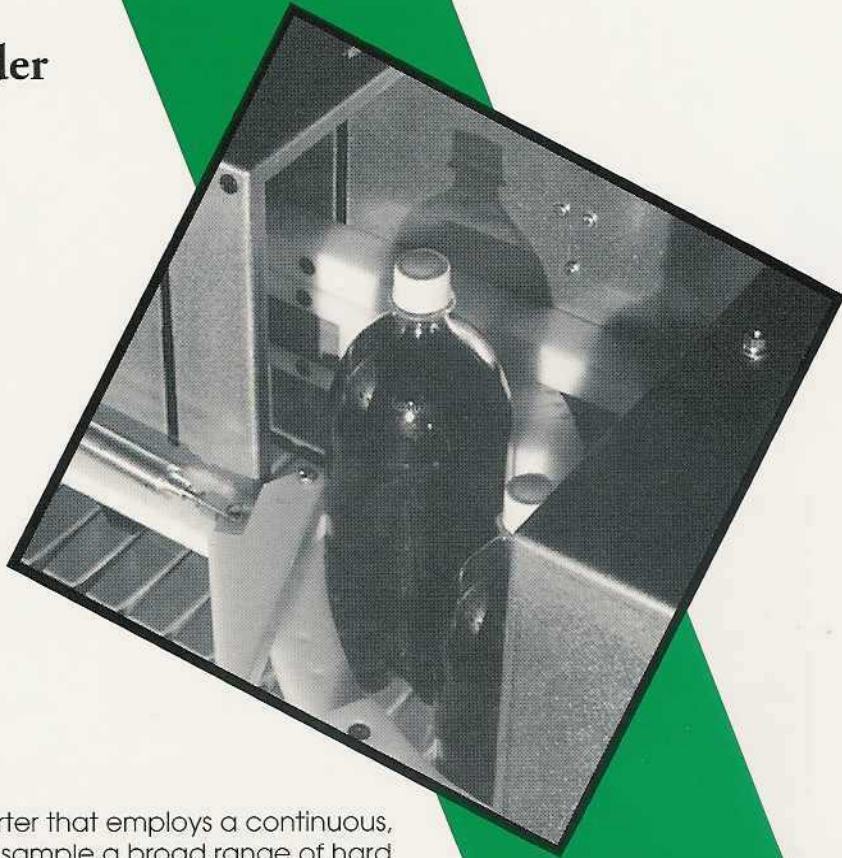


Continuous Flex-Rail Ejector/Diverter/Divider Model EJH-FRD



Features

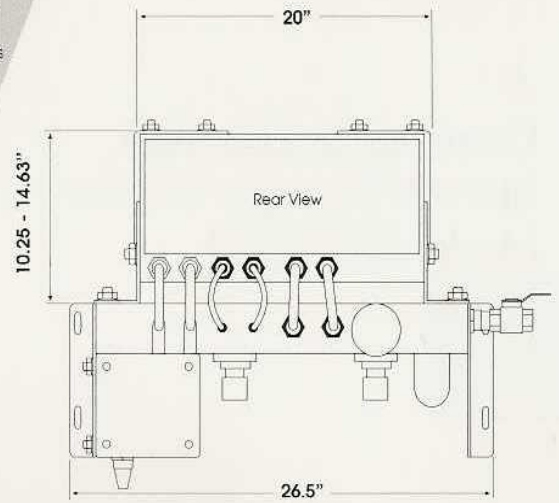
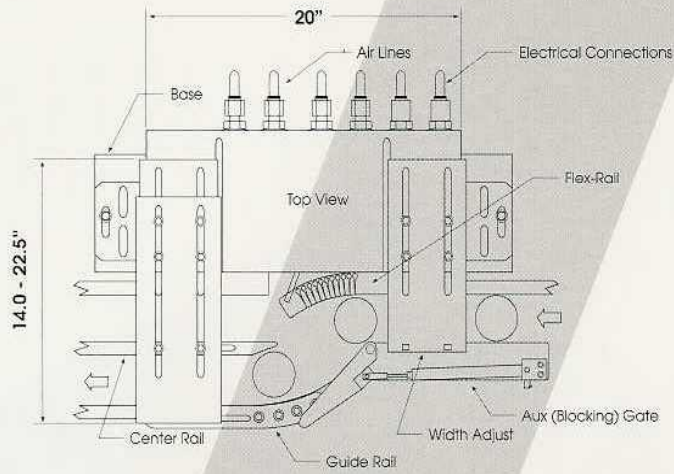
- Versatile
- Reliable
- Maintenance Free
- Easy Set Up and Operation
- Fast Change-Over

The **PECO EJH-FRD** is a versatile diverter that employs a continuous, flexible rail to eject, divide, divert or sample a broad range of hard or soft walled containers at 200 feet per minute. The **EJH-FRD's** continuous rail offers the transitional stability of a slot type diverter with the economy and conveyor length requirements of a push-pad design. Unlike maintenance intensive slot-type diverter/dividers, the **EJH-FRD** has few moving parts and employs limited motion. Engineered and manufactured of stainless steel, long lived, performance proven polymers and Teflon sealed pneumatics that require no lubrication; the **EJH-FRD** was designed to perform continuously in environments where high temperatures and frequent wash downs with harsh solvents are the norm.

PECO's EJH-FRD facilitates fast change-overs on multiple product lines by employing a pneumatic base assembly that is mounted permanently to the conveyor and one or more "quick change" heads that have been pre-set or sized for the varying containers being run on a line and which are "quick changed" on and off the base assembly.

The **EJH-FRD** readily interfaces with a wide variety of inspection systems. Its compatibility and ease of set up make an ideal choice for diverter or divider replacement or upgrade.





Dimensions: 11" high x 20" long x 16" wide



Flex-Rail Ejector/Diverter/Divider

Technical Specifications

Operating Speed:	Up to 500cpm
Container Size:	3.00" to 7.00" in Diameter 1.00" to 14.00" in Height
Consecutive Ejections:	One to any number
Conveyor Required:	Double width table top chain
Power Requirements:	12 VDC \pm 10%
Air Requirements:	70-80psi, 4-12 SCFM (during activation)
Operating Temperature:	0°F to 60°F
Humidity:	0 to 100%
Dimensions:	11" high x 20" long x 16" wide
Materials:	Stainless steel, acetal and polyethylene

Peco Controls Corporation
 450 Montague Expressway
 Milpitas, CA 95035
 (408) 262-4050
 (408) 262-6693 Fax