

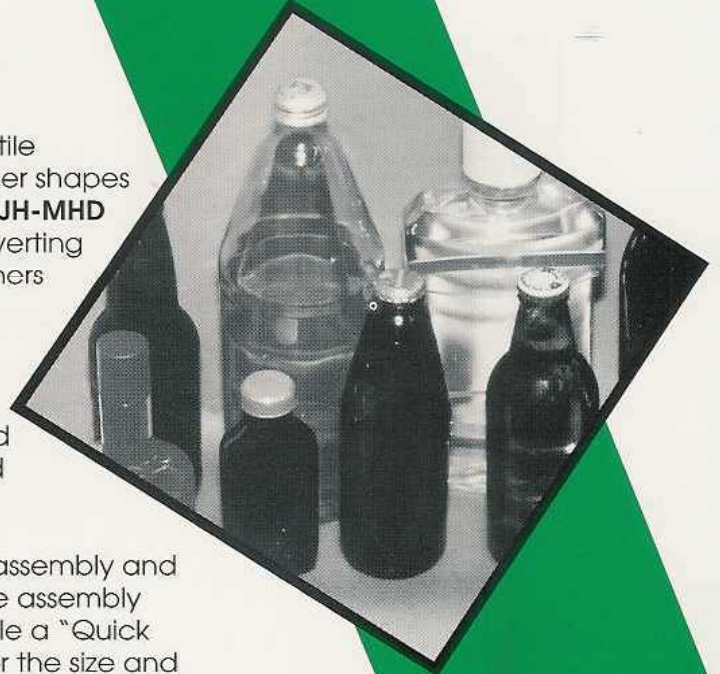
"Quick Change" Sampling Ejector/Diverter Model EJH-MHD



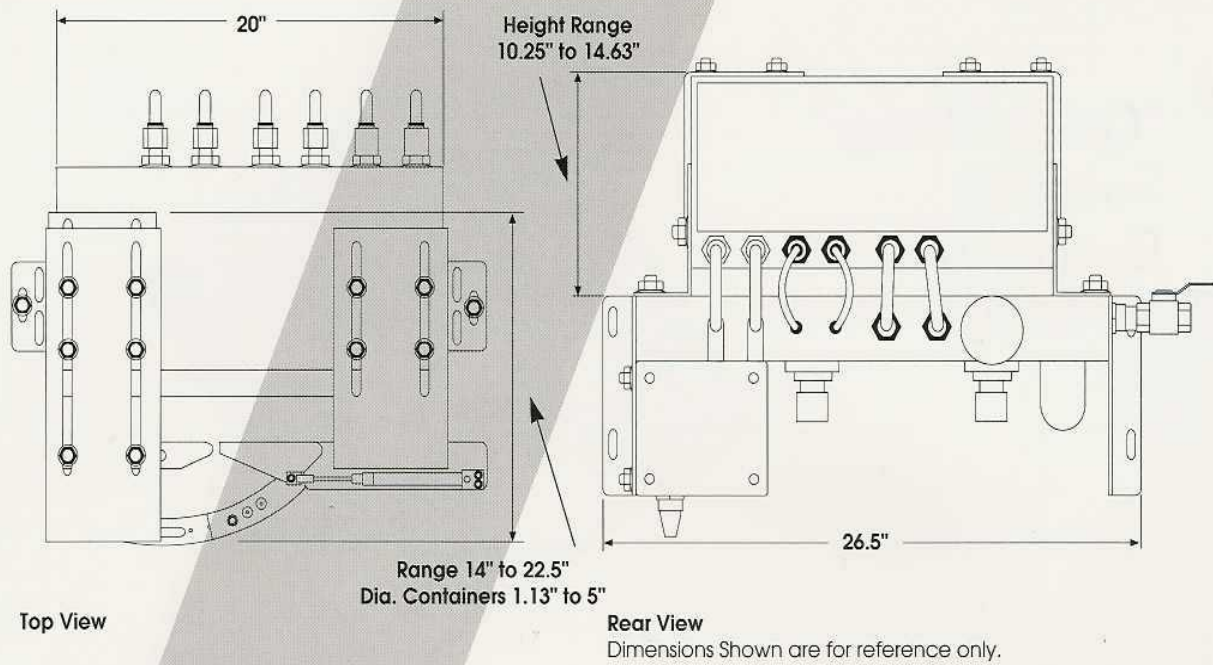
Features

- Versatile
- Reliable
- Fast Change Over
- Low Maintenance
- Easy Set Up and Operation

The **PECO EJH-MHD "Quick Change" Diverter** is a versatile diverter that readily handles a broad range of container shapes and sizes at speeds of up to 600 feet per minute. The **EJH-MHD** employing **PECO's** unique patented technology for diverting or ejecting a wide range of irregularly shaped containers of all sizes minimizes transition times while stabilizing containers. Designed and engineered for quick "change-overs", of five minutes or less, on lines which run a variety of container shapes and sizes; the **EJH-MHD** handily diverts or ejects aspirin bottles, ridged beverage bottles or many rectangular cross sectioned containers.



PECO's EJH-MHD diverter includes a pneumatic base assembly and one or more "Quick Change" diverter heads. The base assembly and controls mount permanently to the conveyor, while a "Quick Change" head which has been previously adjusted for the size and shape of the container to be run is rapidly located and bolted into place.



General Specifications

Operating Speed:	Up to 1500 CPM
Container Size:	1.00 to 5.00 inches in diameter 1.00 to 14.00 inches in height
Consecutive Ejections:	Any number
Conveyor Required:	Double width table top
Power Requirements:	12 VDC
Air Requirements:	70 - 80 PSI
Operating Temperature:	0° to 160°F.
Humidity:	0 to 100%
Dimensions:	11" high X 20" long X 16" wide
Materials:	Acetal, polyethylene, silicone and stainless steel

Peco Controls Corporation
 450 Montague Expressway
 Milpitas, CA 95035
 (408) 262-4050
 (408) 262-6693 Fax