

# DC LOGIC Can Motion Sensor With Sink/Source Output Model 326LXM

## Features

- Fixed Reach-Shielded
- Detects Can Presence or Motion
- Detects both Ferrous and Non-ferrous Cans
- LED Indicates Motion and Output
- Current Sinking and Voltage Source Output
- Rugged 304 Stainless Steel Housing w/welded Stainless Steel studs for mounting
- Short Circuit Protected
- Temperature Compensated
- Low Profile Design
- +10 to +30 VDC Power

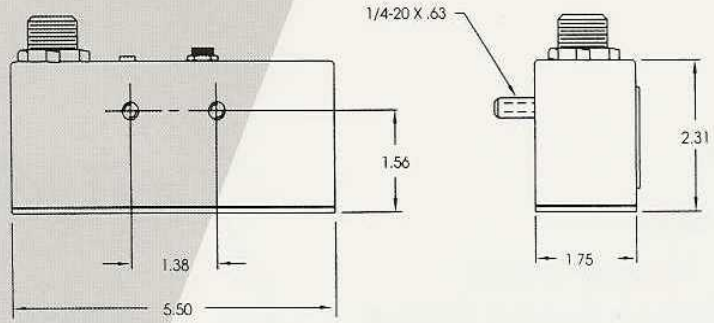
The **PECO Model 326LXM** is a rugged, open collector, motion sensor that is used for efficient control of empty or full can lines. The **326LXM**, in a single sensor, detects both presence and motion of ferrous and non-ferrous cans. The sensor's output is "ON" and a signal is outputted to a PLC or other designated host when cans in front of the sensor are not moving. The sensor's output is "OFF" when cans are not present in front of the sensor and/or when cans are moving past the sensor.

Motion logic enhances can line efficiency by speeding up the restart process after a line stoppage. Alternative logic utilizes traditional ON and OFF delays that require cans to clear a specified length of travel before a restart sequence may commence. Motion detection allows the restart to commence as soon as cans are detected moving in the normal pattern.

Motion logic can be employed in mass conveying as well as in common single file applications where downstream conveyor speeds are designed to run faster than those upstream.

The **PECO 326LXM** offers greatly enhanced performance and (1) eliminates the need for the two sensors that are required when delay type sensors are used in transitional timing (2) the logic for relating their inputs, and (3) the difficulty in mounting them correctly.





326LXM

## Technical Specifications

Input Power:	
Red Wire	+10 to +30 VDC
Black Wire	Common Ground
Operating Current:	45 mA, not including load current
Operating Temperature:	0° to 160°F
Reach:	
Presence Detection (Fixed Reach)	1.25" (steel) 0.65" (aluminum)
Motion Detection	0" to 0.75" (steel) 0" to 0.50" (aluminum)
Motion Adjust:	Used to adjust the sensor reach for different can diameters over the temperature stabilized range (15 turns)
Hysteresis:	Approximately 10% of set reach
Output Signals:	
White Wire	Open Collector, current sink 300 mA
Green Wire	Voltage source, +10 to +30 VDC 300 mA
	Note: Voltage source tracks DC input voltage to sensor
Stop Motion Logic:	Output turns "ON" 0.5 seconds after cans have stopped in front of sensor
Circuit Protection:	Input protected against power lead reversal Sink and source output - built - in protection diodes: short circuit to ground, short circuit to power, and thermal protection
Cable Length:	10 feet, four conductor #22 AWG
LED Indicator:	LED blinks dimly when individual containers pass sensor LED turns "ON" bright when output is energized
Container Size:	202 to 704
Housing Material:	Stainless Steel
Dimensions:	5.5" wide x 1.5" x 2.25" deep
Mounting:	Two stainless studs
Hardware:	Stainless "L" bracket and mounting hardware included

**Peco Controls Corporation**  
450 Montague Expressway  
Milpitas, CA 95035  
(408) 262-4050  
(408) 262-6693 Fax