

# DC LOGIC Can Proximity Sensor With Sink/Source Output Model 326LXP Fixed Reach Model 326LXPV Variable Reach



## Features

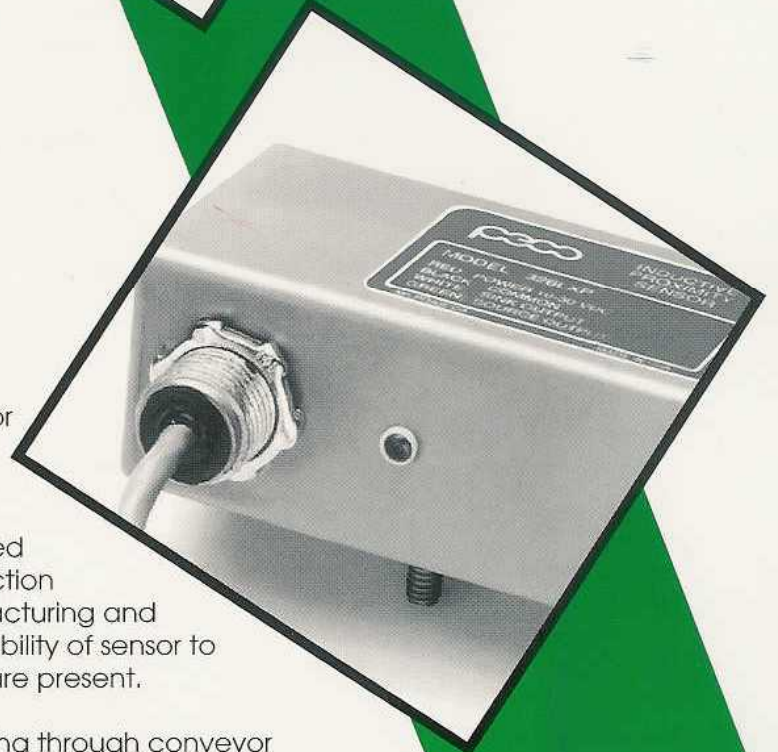
- Fixed or Variable Reach
- Fully Shielded
- Can Presence/Output LED
- Current Sinking and Voltage Source Output
- Rugged 304 Stainless Steel Housing and Studs
- Temperature Compensated
- Short Circuit Protected
- < 2ms Response Time
- Low Profile Design
- 10 to 30 Volt VDC Input

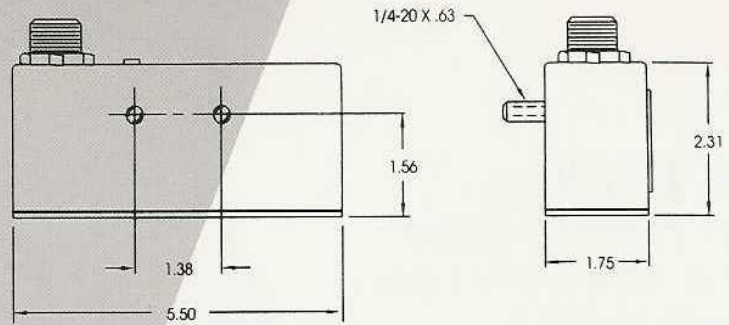
The **PECO 326 Series** of wide field proximity sensors, available with fixed or variable reach, are suitable for the detection of sizes 202 to 704 aluminum or steel cans.

**PECO's** unique sensing-coil, face plate design, rugged stainless steel housings, and thermal overload protection translate into long term survivability in hostile manufacturing and filling environments. Full shielding eliminates the possibility of sensor to side rail fringing and "lock-up" when no containers are present.

The **LX Series'** low profile design permits easy mounting through conveyor side rails.

Output activation and can presence or detection are indicated by LED. NPN and PNP or Sink and Source outputs are compatible with PECO, Allen-Bradley, General Electric, Gould, Omron, Texas Instruments, Siemens and most brands of programmable controllers.





326LXP



326LXP Sensor

### Technical Specifications

|                         |  |
|-------------------------|--|
| Input:                  |  |
| Red Wire                | +10. . . +30 VDC   |
| Black Wire              | Common (ground)  |
| Operating Current:      | 35 mA, not including load current  |
| Operating Temperature:  | 0° to 160°F  |
| Fixed Reach:            | 1.125" (steel)   |
| <b>Model 326LXP</b>     | 0.60" (aluminum)   |
| Variable Reach:         | .1" . . . 1.125" (steel)   |
| <b>Model 326LXPV</b>    | .1" . . . 0.60" (aluminum)   |
| Hysteresis:             | Approximately 10% of set reach   |
| Output:                 |  |
| White Wire              | Open Collector, current sink, 300 mA   |
| Green Wire              | Voltage source, +10 to +30 VDC 300mA   |
|                         | Note: Voltage source tracks DC input voltage to sensor                                       |
| Circuit Protection:     | Input lead reversal<br>Short circuit to ground<br>Short circuit to power<br>Thermal overload |
| Cable Length:           | 10 feet  |
| LED Indicator:          | LED turns "ON" when can is detected  |
| Senses Container Sizes: | 202 to 704   |
| Housing Material:       | Stainless Steel  |
| Dimensions:             | 5.5" wide x 1.75" high x 2.25" deep  |
| Mounting:               | Two stainless steel studs  |

**Peco Controls Corporation**  
 450 Montague Expressway  
 Milpitas, CA 95035  
 (408) 262-4050  
 (408) 262-6693 Fax